

RD084S2 Remote Display



- 8.4" TFT Display
- -30 ... +80 °C
- Single cable installation
- 800 x 600 resolution
- Large viewing angle

The RD084S2 is an 8,4 inches TFT-display is designed to be used with MIC1100S. One cable installation allows screen position freely and optimal place for operator. Screen is designed for harsh environment and wide temperature range.

On top of the normal machine interface the screen can be used to show 4 video feeds from cameras connected to MIC1100S.

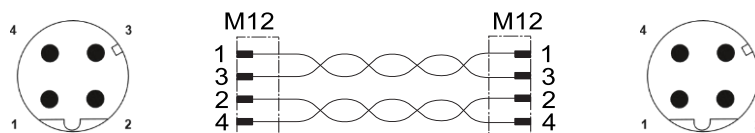
Technical Information

- 8.4" high quality TFT color display
- 800 x 600 resolution
- 450 cd/m² brightness
- 80° viewing angle
- -40...+80°C operating temperature range
- IP67 aluminium housing
- Main dimensions 225 mm(w) x 164 mm(h) x 51 mm(d)
- Weight 2.7kg
- Standard VESA 75 mounting

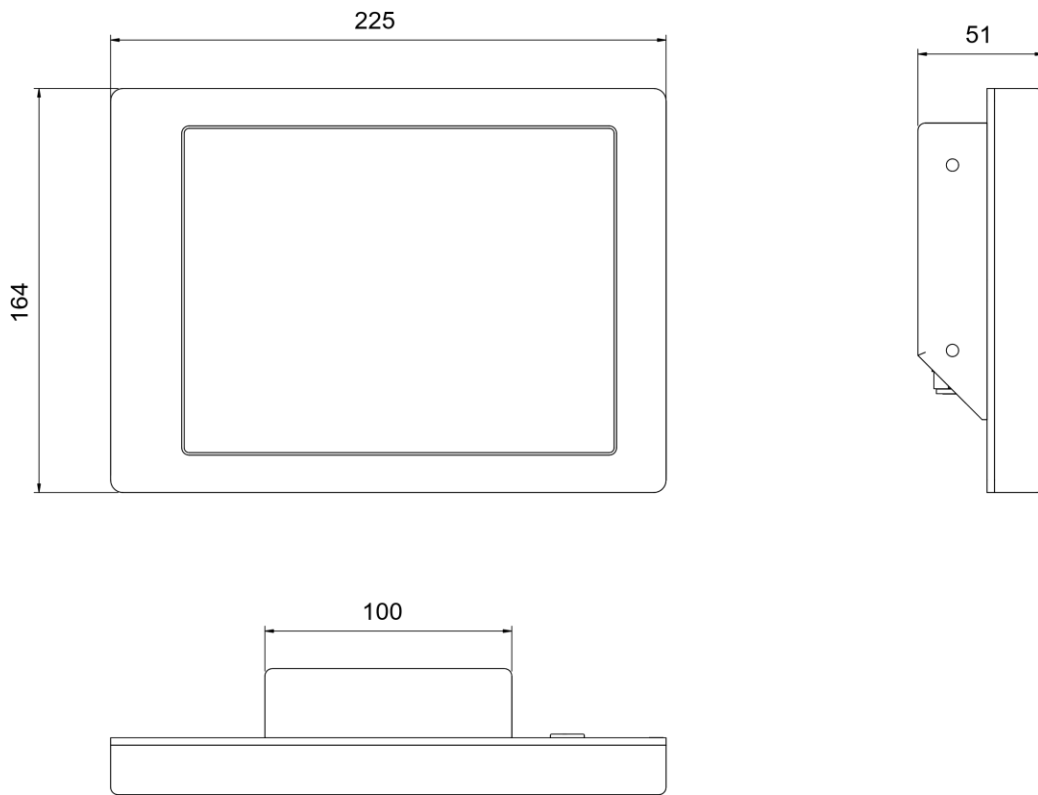
Connectors & Display Cable

- The unit is connected to MIC1100S with standard 4-pin M12 D-coded, male to male cable
- Maximum cable length is 10 m
- Cable fulfilling CAT6 standard is recommended
- Minimum wire size 22 AWG
- Recommended cables:

MOLEX P/N	ENGINEERING No.	L(mm)
1201088303	E11A06012M005	500
1201088304	E11A06012M010	1000
1201088305	E11A06012M020	2000
1201088306	E11A06012M030	3000
1201088384	E11A06012M035	3500
1201088307	E11A06012M040	4000
1201088308	E11A06012M050	5000
1201088309	E11A06012M060	6000
1201088310	E11A06012M080	8000
1201088311	E11A06012M100	10000

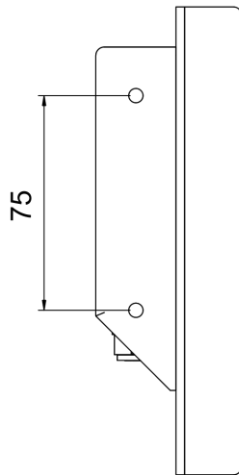
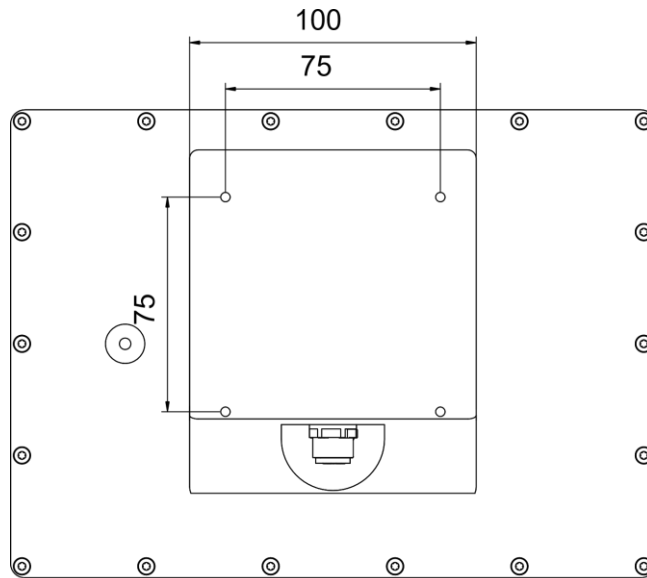


Dimensions

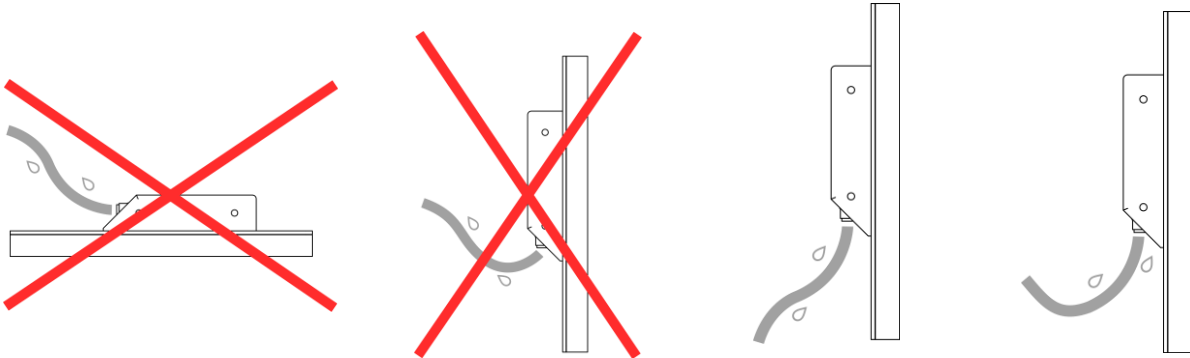


Mounting

RD084S2 can be mounted using M4 screws from back (VESA75) or with M6 screws from the sides of the backbox.



The preferred mounting position is connectors pointing downwards. If the unit is mounted connectors pointing to the side, then it is vital to leave some loose cable with a downward cue to prevent the ingress of moisture through connector.



Note! Extra care should be paid on grounding of RD084S2. The provided M4 and M6 tapped threads can be for this purpose. It is recommended to use ring tongue and joint compound to minimize transient resistance.