

# RD121S4-T Remote Touch Screen

---



- 12.1" TFT Display
- Capacitive touch
- -30 ... +80 °C
- Single cable installation
- 800 x 600 resolution
- Large viewing angle

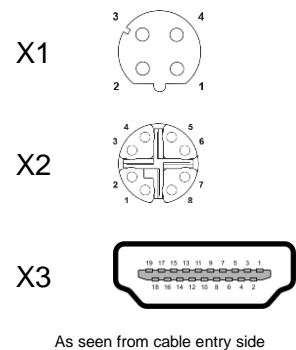
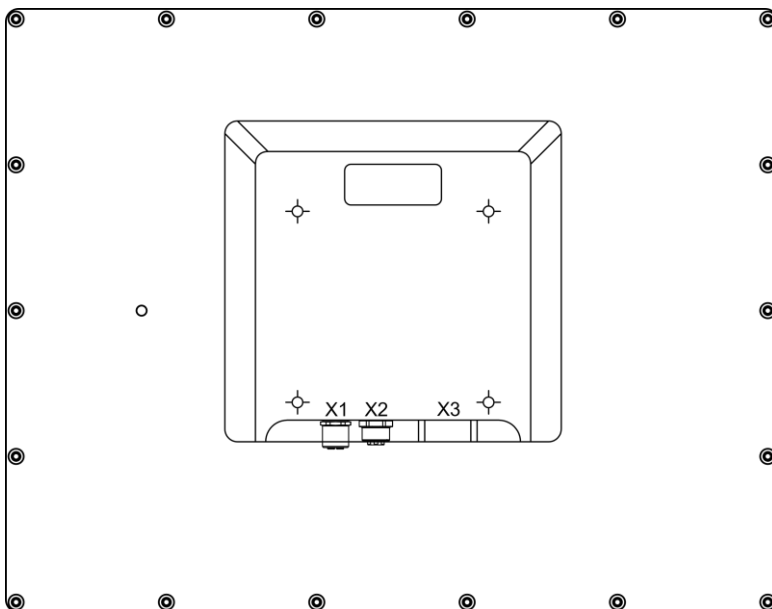
The RD121S4-T 12.1" Touch Display is designed for use with MIC1100S, MIC2000 and MIC2100S Display can be connected only using one cable. One cable installation allows screen to be placed freely around operator's area. Screen is designed for harsh environment and wide temperature range.

Screen can be also configured to show 4 video feeds from cameras connected to controller.

## Technical Information

- 12.1" high quality TFT Touch colour display
- 800 x 600 resolution
- 450 cd/m<sup>2</sup> brightness
- 80° viewing angle
- -30...+80 °C operating temperature range
- IP67 aluminium housing
- Main dimensions 303 mm x 237 mm x 45 mm
- Weight 2,7 kg
- Standard VESA 75 mounting

## Connectors



### Connectors

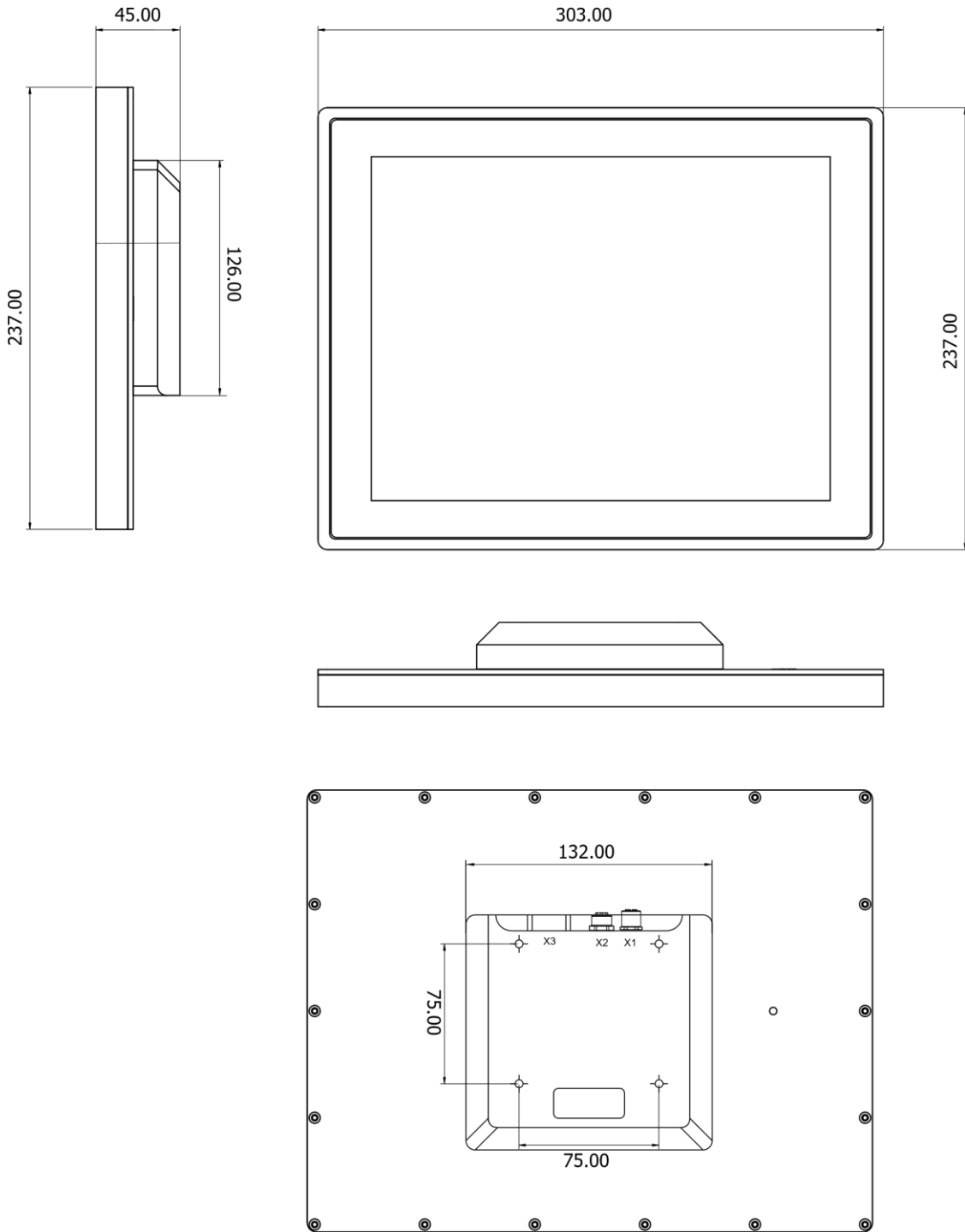
X1: Touch signal, video signal and power  
 X2: Touch signal, video signal and power  
 X3: Video signal

### M12 Connector needed:

4 pin, Male D-coded  
 8 pin, Male X-coded  
 HDMI, Male

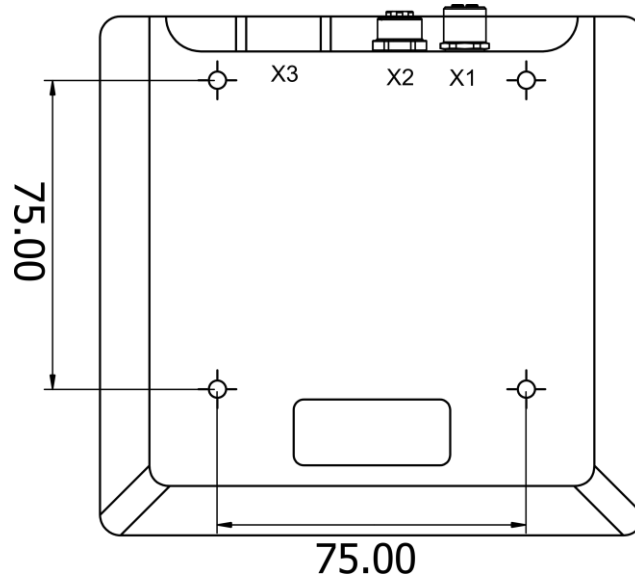
- Maximum cable length is 10 m
- Cable fulfilling CAT6 standard is recommended
- Minimum wire size 22 AWG

### Dimensions

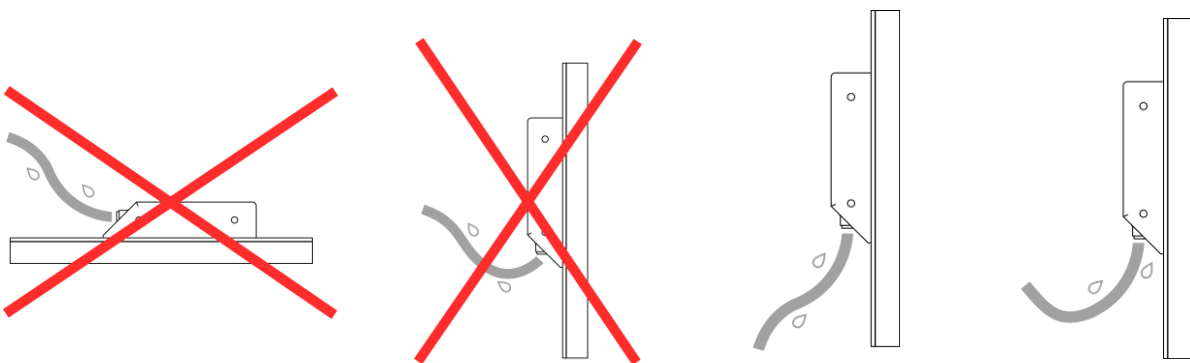


## Mounting

RD121S4-T can be mounted from the using M4 screws from backbox (VESA75).



The preferred mounting position is connectors pointing downwards. If the unit is mounted connectors pointing to the side, then it is vital to leave some loose cable with a downward cue to prevent the ingress of moisture through connector.



**Note!** Extra care should be paid on grounding of RD121S4-T. Mounting points on back box can be used for this purpose. It is recommended to use ring tongue and joint compound to minimize transient resistance.